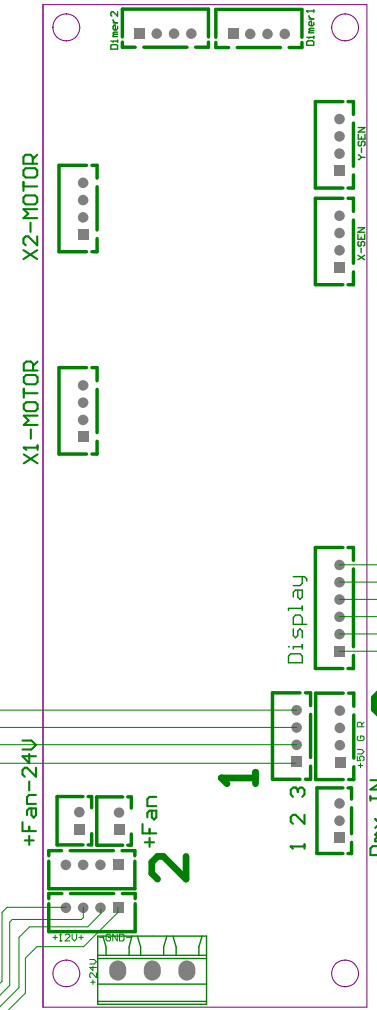
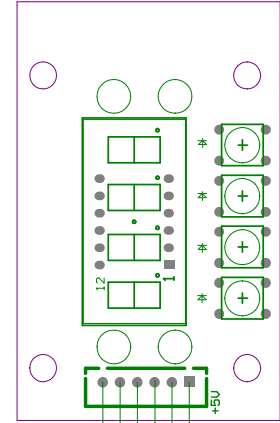


12VDC-IN

5V



1 24V 12V GND

1

2

1

2